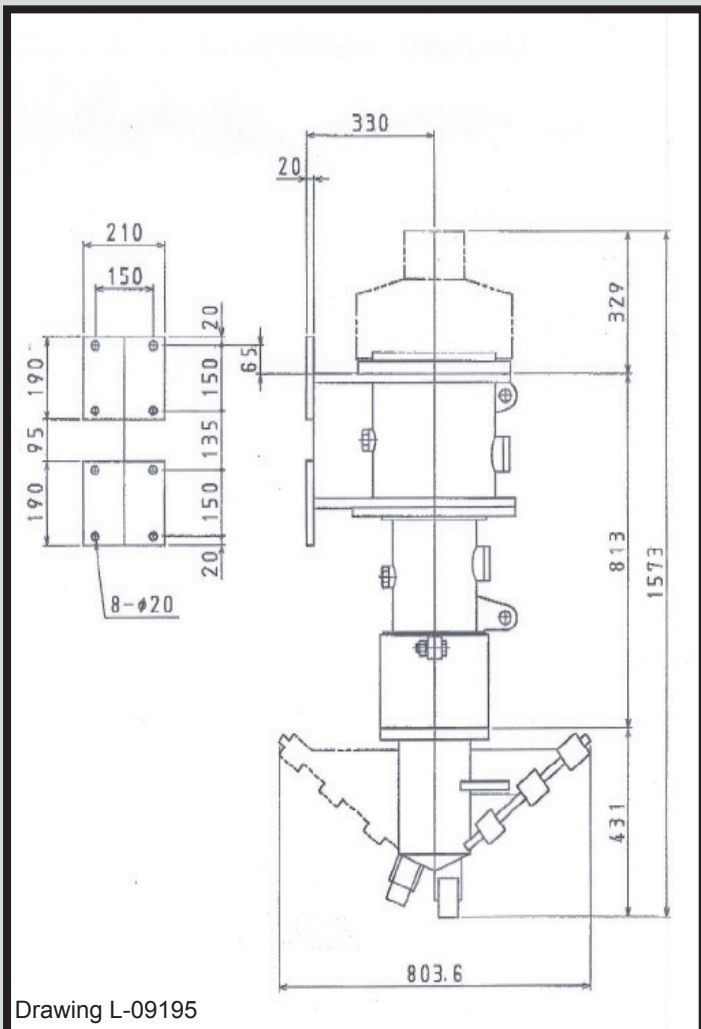




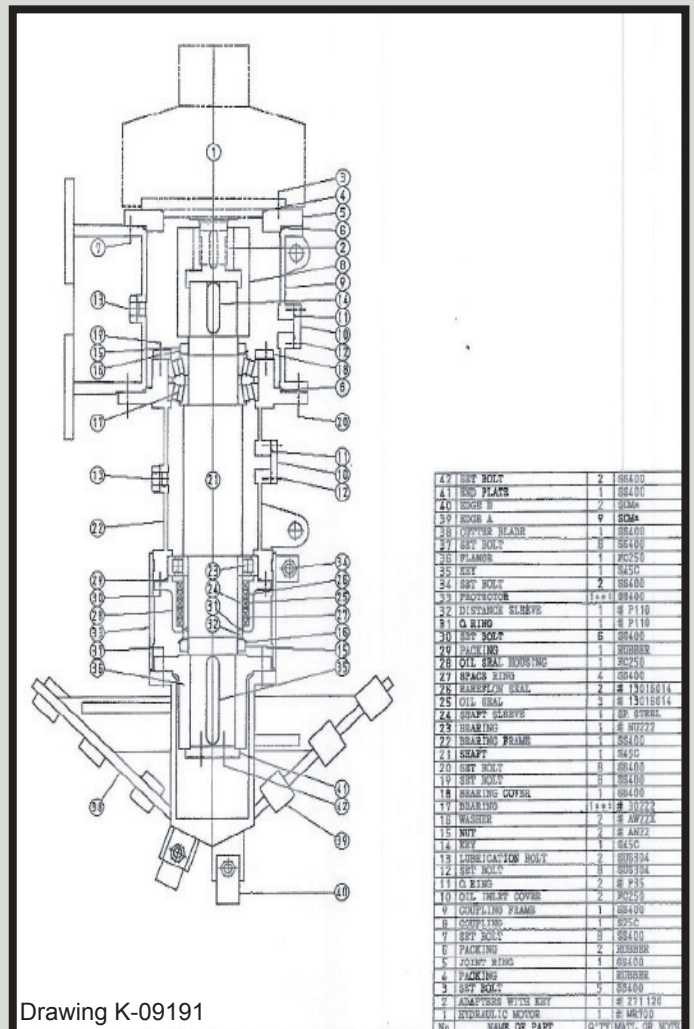
# Toyo

**Hydraulically driven Excavator  
PKH20-2**

<b>EXCAVATOR NAME</b>	<b>Toyo Submersible Excavator</b>
<b>EXCAVATOR MODEL</b>	<b>PKH20-2</b>
<b>MOTOR</b>	Type : Hydraulic Motor
	Model : RM 700
	Capacity : 22-35L/min
	Pressur (cont) : 250 bar
	Accessories : Adapters with key
<b>SPEED</b>	30/40/50 r/min
<b>TORQUE</b>	2482 Nm
<b>MASS</b>	560 kg
<b>CONSTRUCTION : MATERIAL</b>	As per drawing n° K-09191
<b>OUTLINE DIMENSION</b>	As per drawing n° L-09195
<b>PAINTING</b>	AA Metallic Silver
<b>SPARE PARTS</b>	/



Drawing L-09195



Drawing K-09191

## TOYO PUMPS EUROPE

Parc Industriel Sud - Zone II

Rue de l'Industrie 41 - BE - 1400 Nivelles - Belgium

Tel. : +32(0)67 64 55 37 - Fax : +32(0)67 64 55 31

E-mail : sales@toyopumpseurope.com

Website : www.toyopumpseurope.com